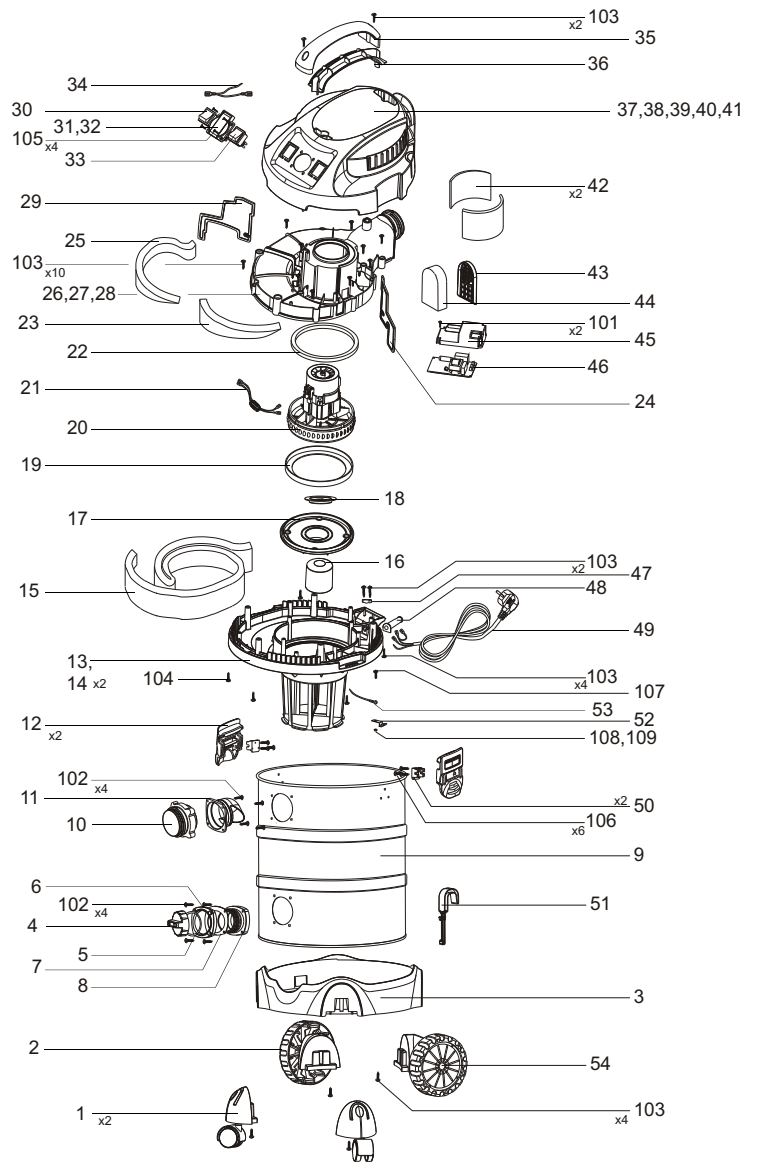


POS. No.	Ref.No.	Description
----------	---------	-------------

POS. No.	Ref.No.	Description
----------	---------	-------------

1	181910	Castors
2	181895	Bigger Wheel
2*	181911	Bigger Wheel
3	181912	Base
4	181913	Cover
5	182450	Sealing
6	181914	Outlet
7	182451	Sealing
8	182452	Seat
9	181915	Stainless tank
10	181916	Suction
11	182453	Plate
12	181925	Clasp
13	181917	Down Cover
14	182454	Sealing
15	182455	Foam
16	182456	Cup
17	182457	Basket
18	182458	Protector
19	182459	Sealing
20	181918	Motor
21	182460	Inductitor
22	182461	Sealing
23	182462	Foam
24	182463	Plate
25	182464	Foam
26	181919	Buffer
27	182465	Anti verbiale
28	182466	Sealing
29	182467	Plate
30	182468	Switch
31	182469	Socket
32	182470	Plate
33	182471	Switch
34	182472	Wire
35	182473	Upper handle
36	181921	Down handle
37	181920	Up Cover
38	182474	Foam
39	182475	Logo label
40	182476	Logo label
41	182477	Logo label
42	182478	Foam
43	182479	Protector
44	182480	Foam
45	182481	Cover
46	182482	Electronic block
47	181922	Plate
48	181923	Clamp
49	181924	Cable
50	182483	Clasp seat
51	181926	Hook
52	181927	Bigger Wheel
53	182484	Wire
54*	181897	Bigger Wheel
54	181901	Bigger Wheels Left
101	181928	Screw ST 4.2x16F
102	181929	Screw ST 4.2x14F
103	181930	Screw ST 4.2x12F
104	181931	Screw ST 4.2x14F
105	181932	Screw ST 4.2x16F
106	181933	Screw ST 4.2x16F
107	181934	Screw ST 4.2x16F
108	181935	Nut
109	181936	Washer



\* - till 06.Oct.2014 - 54